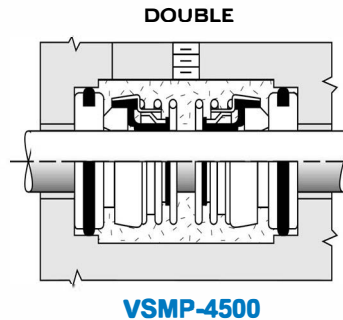


# Seal Solutions Inc.

## GPM, INC. (Eliminator)



OEM DESIGN				
Part No.	Seal Type	Shaft MM	Materials of Construction	GPM Part No.
VSMP-8500	VS52D	40	Q1Q1VGG	30154-050
VSMP-1969	VS52D	50	Q1Q1VGG	n/a
VSMP-2362	VS52D	60	Q1Q1VGG	G10139
VSMP-2756	VS52D	70	Q1Q1VGG	G10142, 84-40404-050/84-60406-040/84-BCLH4-050
VSMP-3250	VS52D	3.250	Q1Q1VGG	
VSMP-4500	VS31D	4.500	Q1Q1VFF	G10149

### Features:

- Mechanically Crimped Components Eliminating The Need To Use Adhesive To Bond The Face To The Bellows
- Sintered Silicon Carbide Seal Faces For Optimum Resistance To Abrasives And Thermal Shock
- Hexagonal Drive Band Reduces Stress On The Bellows By Distributing Torque Over A Larger Area Than Competitive Designs
- FKM Elastomers For Optimal Chemical Resistance
- Stainless Steel Metallurgy To Resist Corrosion

3103 Cascade Drive Valparaiso, IN 46383

[www.sealsolutionsinc.com](http://www.sealsolutionsinc.com)

219246-1302